

02 14

Gate Casters CAPACITY TO 210



These casters are designed to make gate opening and closing easy. The casters feature gate mounts and spring loaded shock absorption.



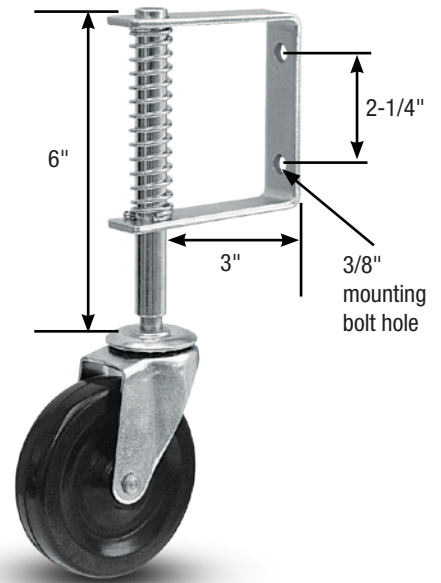
Premium Quality



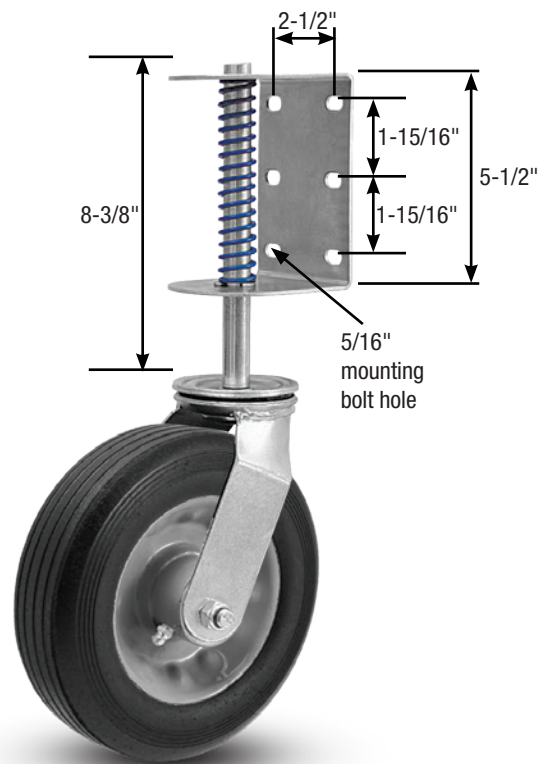
Environmentally Friendly

FEATURES

- Gate mount integrated in caster
- Spring loaded design provides shock absorption



Wheel Diameter (Inches)	Tread Width/Type (Inches)	Capacity (Lbs) (Rates for manual operation)	Overall Height (Inches)	Swivel Lead (Inches)	Approx. Wt. (Lbs)	Caster Number
4	1	125	10-1/2	3.2		02RN04041S007



Wheel Diameter (Inches)	Tread Width/Type (Inches)	Capacity (Lbs) (Rates for manual operation)	Overall Height (Inches)	Swivel Lead (Inches)	Approx. Wt. (Lbs)	Caster Number
8	2-1/2	210	18-1/2	6.5		14SN08427S001