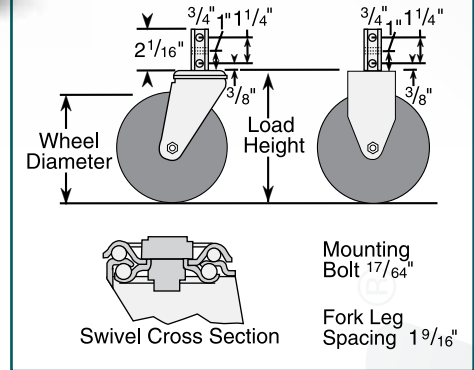


2 Series

SQUARE STEM Swivel & Rigid
Capacity up to **325 lbs each**



Standard Dimensions



Features

- Zinc plated finish is attractive and durable
- Full double ball hardened raceways for better performance and greater durability
- 3/8" hollow axle with lock nut
- Grease holes on wheel bearing for greater convenience
- "Colson 45" multi-temp grease lubricates in extreme hot and cold temperatures

Standard Mounting

- **Stem Size:** 2 1/16" long x 3/4" square with 3 mounting holes 17/64" diameter
- Designed for easy installation on the inside of angle iron legs or against flat surfaces
- Stems may be bolted or riveted against any flat vertical surface

Caster Brake



Top Lock
(See page 96) Available on all swivel models with solid axle only. Field installable (Specify **BRK1**; Example: 2.05270.91 BRK1).



Total Lock
(See page 96) Locks wheel and swivel simultaneously. Fits 3 1/2", 4" and 5" swivel models. Field installable (Specify **BRK5**; Example: 2.05270.12 BRK5).

Fork Option

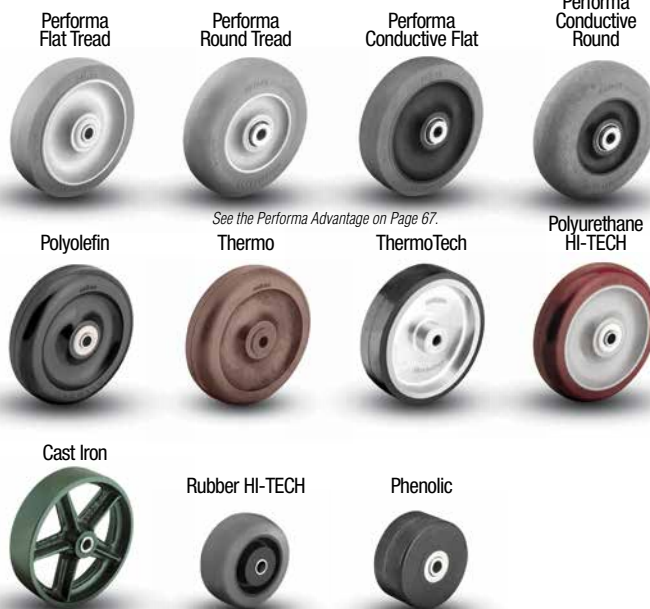
NSF Listed For Food Service Industry
All models except thread guards and cast iron wheels (Specify **FSI**; Example: 2.05270.441 FSI).

Swivel Dust Cap
(See page 101) (Specify **DC1**; Example: 2.05270.441 DC1).

Forks Only
To order caster forks only use 1st 6 digits of model numbers (Example: 2.02270).

Axle/Nut Options
Consult factory.

Wheel Selection



See the Performa Advantage on Page 67.

Wheel Option

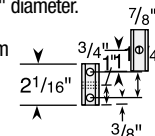
Thread Guards
(See page 108) Available on many models. Specify **TG1** for metal or **TG2** for plastic; Example: 2.05270.441 TG2.

Mounting Options

Standard Mounting (no code necessary):
2 1/16" long x 3/4" square with 3 mounting holes 17/64" diameter.

MTG1: Square Stem 2 1/16" long x 7/8" square with 1 mounting hole 17/64" diameter.

MTG3: Octagon Stem 2 1/16" long x 3/4" octagon with 3 mounting holes 17/64" diameter.



To order optional mounting, add mounting code to Swivel Stem Caster Models number (Example: 2.02270.441 MTG1).