

3 Series

TOP PLATE Swivel & Rigid
Capacity up to **800 lbs each**

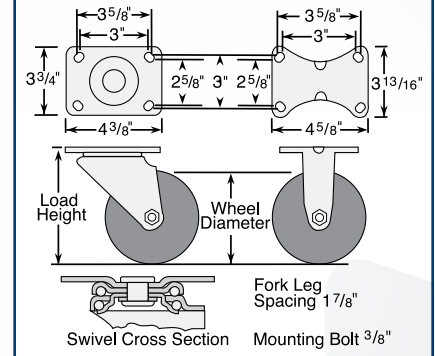


Features

- Zinc plated finish is attractive and durable
- Full double ball hardened raceways for better performance and greater durability
- 3/8" hollow axle with lock nut
- Permanent rivet kingpin construction
- Reinforcing washer on upper & lower raceway for swivel models
- Grease holes: wheel bearing
- "Colson 45" multi-temp grease lubricates in extreme hot and cold temperatures
- .164" steel top plate



Standard Dimensions



Caster Brake



Top Lock
(See page 97) Available on all swivel models. Field installable (Specify **BRK1**; Example: 3.00517.449 BRK1).

Fork / Wheel Options

NSF Listed For Food Service Industry

All models except thread guards and cast iron wheels (Specify **FSI**; Example: 3.00517.449 FSI).

Swivel Dust Cap

(See page 101) (Specify **DC1**; Example: 3.00517.449 DC1).

Forks Only

To order caster forks only use 1st 6 digits of model numbers (Example: 3.00317).

Thread Guards

(See page 108) Available on many models (Specify **TG1** for metal; Example: 3.00517.909 TG1).

Axle/Nut Options

Consult factory.

Lube Options

Consult factory.

Wheel Selection

Performa Flat Tread



Performa Conductive



Polyolefin



Polyurethane HI-TECH



See the Performa Advantage on Page 67.

Phenolic



Cast Iron



Maxim



Thermo

