

3 Series

SQUARE OR ROUND STEMS

Capacity up to **800 lbs each**



Features

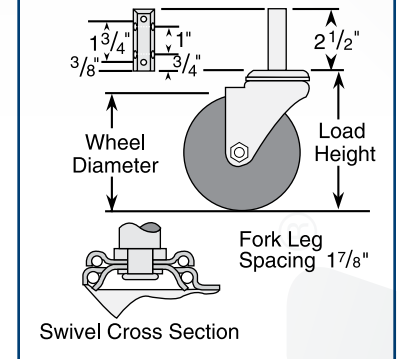
- Zinc plated finish is attractive and durable
- Full double ball hardened raceways for better performance and greater durability
- 3/8" hollow axle with lock nut
- Permanent rivet kingpin construction
- Reinforcing washer on upper & lower raceway
- Grease holes: wheel bearing
- "Colson 45" multi-temp grease lubricates in extreme hot and cold temperatures

Standard Mounting

- **Square Stem:** Four 17/64" diameter holes are drilled in square stem, two per side. 2 1/2" long x 7/8" square



Standard Dimensions



Caster Brake



Top Lock
(See page 97) Available on all swivel models. Field installable (Specify **BRK1**; Example: 3.00514.109 MTG7 BRK1).

Fork / Wheel Options

NSF Listed For Food Service Industry

All models except thread guards and cast iron wheels (Specify **FSI**; Example: 3.00514.449 FSI).

(See page 101) (Specify **DC1**; Example: 3.00514.449 DC1).

Forks Only

To order caster forks only use 1st 6 digits of model numbers (Example: 3.00314).

Thread Guards

(See page 108) Available on many models (Specify **TG1** for metal; Example: 3.00514.909 TG1).

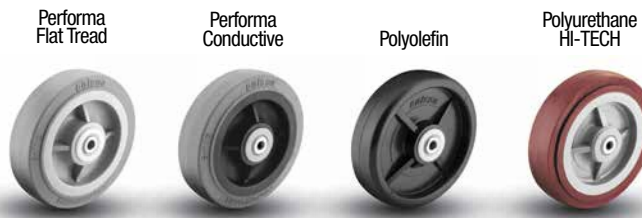
Axle/Nut Options

Consult factory.

Lube Options

Consult factory.

Wheel Selection



See the Performa Advantage on Page 67.



Mounting Options

Square Stem

Standard Mounting (no code necessary):

Four 17/64" diameter holes are drilled in square stem, two per side. 2 1/2" long x 7/8" square.

Round Stem

- MTG7:** 2 1/2" long x 3/4" diameter
- MTG9:** 2 1/2" long x 7/8" diameter
- MTG11:** 2 1/2" long x 1" diameter

To order with optional round stem, add mounting code to Square Stem Caster Models number (Example: 3.00314.449 MTG7).