

# 4 Series

Capacity up to **1250 lbs each**  
Standard 2" tread width

**TOP PLATE** Swivel & Rigid



## Features

- All caster forks and many wheels USA-made for highest quality and quick delivery (see [USA](#))
- Attractive zinc plated finish
- Full double ball hardened raceways
- 1/2" hollow axle with grease zerk and lock nut
- Plastic seal/retainer washer (roller bearing models)
- 1/4" steel top plate for durability
- Permanent rivet kingpin with 5/8" diameter rivet
- Grease fittings: wheel bearing and swivel raceway
- "Colson 45" multi-temp grease lubricates in extreme hot and cold temperatures

## Fork / Wheel Options

### NSF Listed For Food Service Industry

All models except swivel lock, thread guards, forged steel and cast iron core wheels.

### Forks Only

To order caster forks only use 1st 6 digits of model numbers (Example: 4.04109).



### Foot Activated Swivel Lock

(See page 100) Available on all swivel casters with standard top plate (Specify **MTG81**; Example: 4.06109.839 EN MTG81).

### Hand Activated Swivel Lock

(See page 100) Available on all swivel casters in Bolt-On or Welded design.

### DirtBan Swivel Seal

(See page 101) Not available on swivel lock models (Specify **SEAL**; Example: 4.06109.459 SEAL).

### Thread Guards

(See page 108) Available on many models (Specify **TG1** for metal or **TG2** for plastic; Example: 4.06109.459 TG2).

### Load Height Option

6" dia. models with 7 1/4" load height. Only Side Lock brakes (Specify **LH7.25**; Example: 4.06109.459 LH7.25).

### Axle/Nut Options

Consult factory.

### Lube Options

Consult factory.

## Caster Brake



### Tread Lock

(See page 99) Available on all swivel casters except 3 1/4" diameter and V-Groove models (Specify **BRK1**; Example: 4.06109.929 BRK1).



### Tech Lock®

(See page 98) Available on all swivel casters except 3 1/4" diameter, V-Groove and Swivel Lock models. 6" rigid model available (Specify **BRK2**; Example: 4.06109.939.3 BRK2).



### Side Lock

(See page 97) Available on all swivel roller bearing or one piece Delrin models except 3 1/4" diameter (Specify **BRK3**; Example: 4.06109.459.2 BRK3).



### Total Lock

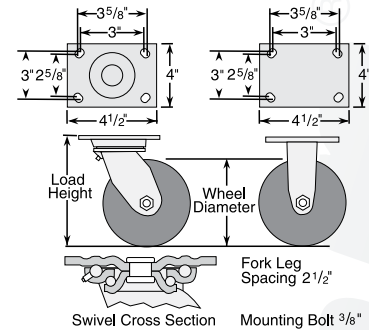
(See page 99) Available on 4", 5", 6" & 8" swivel models except 3 1/4" diameter and V-Groove wheels (Specify **BRK4**; Example: 4.06109.5F9 BRK4).



### Top Lock

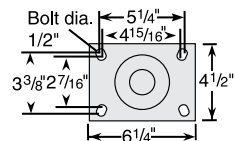
(See page 98) Available on 4", 5", 6" and 8" swivel models except V-Groove (Specify **BRK7**; Example: 4.06109.5F9 BRK7).

## Standard Dimensions

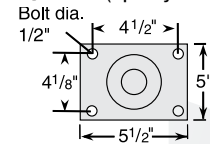


## Optional Top Plates

### #2 Top Plate (Specify MTG2).



### #4 Top Plate (Specify MTG4).



To order optional top plate, add mounting code to Caster Models number (Example: 4.03109.339 MTG2).

CAD Models & Datasheets Online!  
[www.colsoncaster.com/casters/](http://www.colsoncaster.com/casters/)

See the Performa Advantage on Page 67.

## Wheel Selection

