



TOP PLATE Swivel & Rigid

Series

Capacity up to **800 lbs each**
Narrow 1 1/2" tread width



Features

- Attractive zinc plated finish
- Full double ball hardened raceways
- 1/2" hollow axle with grease zerk and lock nut
- Plastic seal/retainer washer (roller bearing models)
- 1/4" steel top plate for durability
- Permanent rivet kingpin with 5/8" diameter rivet
- Grease fittings: wheel bearing and swivel raceway
- "Colson 45" multi-temp grease lubricates in extreme hot and cold temperatures

Caster Brake

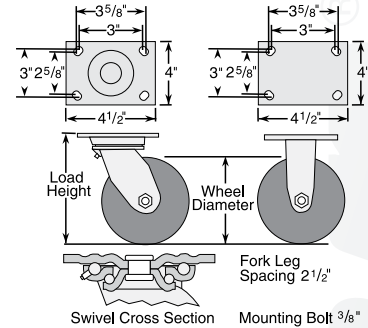


Tread Lock
(See page 99) Available on all swivel casters except 3" diameter models (Specify **BRK1**; Example: 4.06109.819 BRK1).



Tech Lock®
(See page 98) Available on all swivel casters except 3" diameter and swivel lock models. Rigid 6" model available (Specify **BRK2**; Example: 4.06109.449 BRK2).

Standard Dimensions



Fork / Wheel Options

NSF Listed For Food Service Industry
All models except swivel lock, thread guards, forged steel and cast iron core wheels.

Forks Only
To order caster forks only use 1st 6 digits of model numbers (Example: 4.04109).



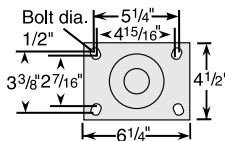
Total Lock
(See page 99) Available on 4", 5", 6" & 8" swivel models (Specify **BRK4**; Example: 4.06109.119 BRK4).



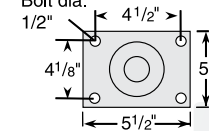
Top Lock
(See page 98) Available on 4", 5", 6" and 8" swivel models (Specify **BRK7**; Example: 4.06109.449 BRK7).

Optional Top Plates

#2 Top Plate (Specify MTG2).



#4 Top Plate (Specify MTG4).



To order optional top plate, add mounting code to Caster Models number (Example: 4.03109.449 MTG2).

Wheel Selection



See the Performa Advantage on Page 67.

DirtBan Swivel Seal
(See page 101) Not available on swivel lock models (Specify **SEAL**; Example: 4.06109.449 SEAL).

Thread Guards
(See page 108) Available on many models (Specify **TG1** for metal or **TG2** for plastic; Example: 4.06109.449 TG2).

Axle/Nut Options
Consult factory.

Lube Options
Consult factory.