

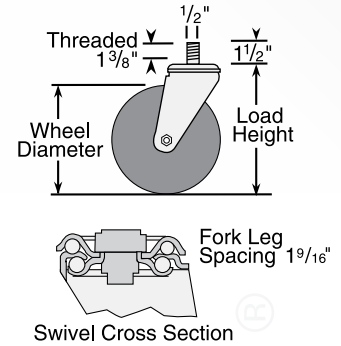
2 Series

Capacity up to **325 lbs each**

THREADED STEM



Standard Dimensions



Features

- Zinc plated finish is attractive and durable
- Full double ball hardened raceways for better performance and greater durability
- 3/8" hollow axle with lock nut
- Grease holes on wheel bearing for greater convenience
- "Colson 45" multi-temp grease lubricates in extreme hot and cold temperatures

Standard Mounting

- **Stem Size:** 1/2" diameter – 13UNC X 1 1/2" long, threaded 1 3/8"
- **Easy Installation:** The 7/16" hex nut beneath the lower raceway makes it fast and easy to install these casters on a wide variety of equipment

Caster Brake



Top Lock
(See page 96) Available on all swivel models with solid axle only. Field installable (Specify **BRK1**; Example: 2.05254.91 BRK1).



Total Lock
(See page 96) Locks wheel and swivel simultaneously. Fits 3 1/2", 4" and 5" swivel models. Field installable (Specify **BRK5** Example: 2.05254.12 BRK5).

Fork Option

NSF Listed For Food Service Industry

All models except thread guards and cast iron wheels (Specify **FSI**; Example: 2.05254.441 FS).

Swivel Dust Cap

(See page 101) (Specify **DC1**; Example: 2.05254.441 DC1).

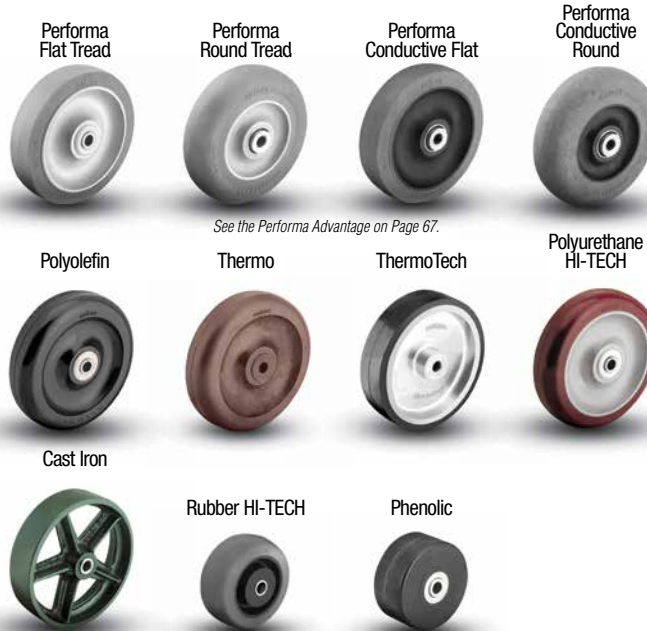
Forks Only

To order caster forks only use 1st 6 digits of model numbers (Example: 2.02254).

Axle/Nut Options

Consult factory.

Wheel Selection



See the Performa Advantage on Page 67.

IMPORTANT: If caster stem is to be screwed into customer equipment, the customer must add a washer to the stem that will cover the incomplete threads and support the upper race. The stem shoulder must fit tightly against the customer equipment.

Wheel Option

Thread Guards

(See page 108) Available on many models. Specify **TG1** for metal or **TG2** for plastic; Example: 2.05254.441 TG2.

Mounting Options

Standard Mounting (no code necessary):

1/2" diameter – 13UNC X 1 1/2" long, threaded 1 3/8".

MTG10: 1/2" 13UNC x 3/4" long threaded

MTG11: 1/2" 13UNC x 1" long threaded

MTG12: 1/2" 20UNF x 3/4" long threaded

MTG13: 5/8" 11UNC x 1 3/4" long threaded

MTG14: 5/8" 18UNF x 1 3/4" long threaded

MTG15: 3/4" 10UNC x 1 3/4" long threaded

MTG50: 1/2" 20UNF x 1 1/2" long threaded

To order optional mounting, add mounting

code to Stem Caster Models number

(Example: 2.02254.441 MTG10).

3D CAD Models & Data Sheets
www.colsoncaster.com/casters

Colson 2 Series Casters • Threaded Stem • Capacity to 325 lbs

Wheel Dia.	Tread Width	Capacity Each (Pounds)	Wheel Descriptions	Wheel Bearing	Stem Caster Models	Load Height	Swivel Radius	Weight (Pounds)
2 1/2"	1 1/4"	125	Performa Rubber (Conductive/Flat)	Ball	2.02254.445 COND	3 3/4"	2 13/32"	1 3/4
		140	Performa Rubber (Flat)	Delrin	2.02254.441	3 3/4"	2 13/32"	1 3/4
			Performa Rubber (Flat)	Ball	2.02254.445	3 3/4"	2 13/32"	1 3/4
		200	Polyolefin	Delrin	2.02254.53	3 3/4"	2 13/32"	1 3/4
			Polyolefin	Ball	2.02254.55	3 3/4"	2 13/32"	1 3/4
		250	Polyurethane HI-TECH	Delrin	2.02254.91	3 3/4"	2 13/32"	1 1/2
	Polyurethane HI-TECH		Ball	2.02254.95	3 3/4"	2 13/32"	1 1/2	
1 7/16"	200	Cast Iron	Sleeve	2.02254.12	3 3/4"	2 13/32"	2 1/8	
		300	Phenolic	Roller	2.02254.319	3 3/4"	2 13/32"	1 3/4
3"	1 1/4"	150	Rubber HI-TECH	Plain	2.03354.42	4"	2 21/32"	2
		200	Polyurethane HI-TECH	Plain	2.03354.92	4"	2 21/32"	2
			Polyolefin	Delrin	2.03354.52	4"	2 21/32"	2
	1 15/32"	300	Phenolic	Roller	2.03354.309	4"	2 21/32"	2 3/4
3 1/2"	1 5/16"	210	Performa Rubber (Conductive/Round)	Ball	2.03254.565 COND	4 9/16"	2 29/32"	2 1/4
			Performa Rubber (Round)	Delrin	2.03254.561	4 9/16"	2 29/32"	2 1/4
			Performa Rubber (Round)	Ball	2.03254.565	4 9/16"	2 29/32"	2 1/4
	1 1/4"	225	Performa Rubber (Conductive/Flat)	Ball	2.03254.445 COND	4 9/16"	2 29/32"	2
			230	Polyolefin	Delrin	2.03254.53	4 9/16"	2 29/32"
		Polyolefin		Ball	2.03254.55	4 9/16"	2 29/32"	2 1/8
		250	Performa Rubber (Flat)	Delrin	2.03254.441	4 9/16"	2 29/32"	2 1/8
			Performa Rubber (Flat)	Ball	2.03254.445	4 9/16"	2 29/32"	2 1/8
			Polyurethane HI-TECH	Delrin	2.03254.91	4 9/16"	2 29/32"	1 3/4
			Polyurethane HI-TECH	Ball	2.03254.95	4 9/16"	2 29/32"	1 3/4
		300	Thermo	Plain	2.03254.52 HT	4 9/16"	2 29/32"	3 1/8
			Cast Iron	Sleeve	2.03254.12	4 9/16"	2 29/32"	3
		4"	1 1/4"	250	ThermoTech®	Teflon	2.04254.613 H	5"
Performa Rubber (Conductive/Flat)	Ball				2.04254.445 COND	5"	3 7/32"	2 1/4
275	Polyolefin			Delrin	2.04254.53	5"	3 7/32"	2 1/4
	Polyolefin			Ball	2.04254.55	5"	3 7/32"	2 1/4
	Polyurethane HI-TECH			Delrin	2.04254.91	5"	3 7/32"	2
	Polyurethane HI-TECH			Ball	2.04254.95	5"	3 7/32"	2
300	Performa Rubber (Flat)		Delrin	2.04254.441	5"	3 7/32"	2 1/4	
	Performa Rubber (Flat)		Ball	2.04254.445	5"	3 7/32"	2 1/4	
	Thermo		Plain	2.04254.52 HT	5"	3 7/32"	3 1/4	
Cast Iron	Sleeve		2.04254.12	5"	3 7/32"	3 1/2		
5"	1 1/4"		250	ThermoTech®	Teflon	2.05254.613 H	6 1/16"	3 13/16"
		Performa Rubber (Conductive/Flat)		Ball	2.05254.445 COND	6 1/16"	3 13/16"	3
	1 5/16"	250	Performa Rubber (Conductive/Round)	Ball	2.05254.565 COND	6 1/16"	3 13/16"	3
			Performa Rubber (Round)	Delrin	2.05254.561	6 1/16"	3 13/16"	3
			Performa Rubber (Round)	Ball	2.05254.565	6 1/16"	3 13/16"	3
	1 1/4"	300	Polyolefin	Delrin	2.05254.53	6 1/16"	3 13/16"	2 3/4
			Polyolefin	Ball	2.05254.55	6 1/16"	3 13/16"	2 3/4
			Polyurethane HI-TECH	Delrin	2.05254.91	6 1/16"	3 13/16"	2 1/2
			Polyurethane HI-TECH	Ball	2.05254.95	6 1/16"	3 13/16"	2 1/2
			Cast Iron	Sleeve	2.05254.12	6 1/16"	3 13/16"	3 3/4
			Performa Rubber (Flat)	Delrin	2.05254.441	6 1/16"	3 13/16"	2 3/4
		325	Performa Rubber (Flat)	Ball	2.05254.445	6 1/16"	3 13/16"	2 3/4
			Thermo	Plain	2.05254.52 HT	6 1/16"	3 13/16"	3 3/4

2 Series