

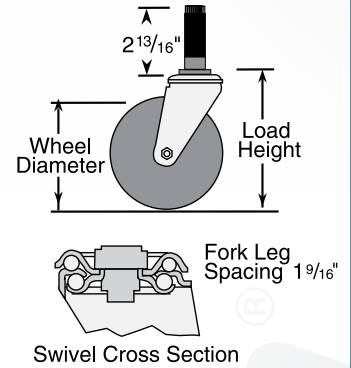
2 Series

EXPANDING ADAPTER STEM

Capacity up to **325 lbs each**



Standard Dimensions



Features

- Zinc plated finish is attractive and durable
- Full double ball hardened raceways for better performance and greater durability
- 3/8" hollow axle with lock nut
- Grease holes on wheel bearing for greater convenience
- "Colson 45" multi-temp grease lubricates in extreme hot and cold temperatures

Standard Mounting

- Turning of hex nut beneath lower raceway expands rubber adapter inside of round or square tubing for a tight, permanent fit
- To order, select caster model number and specify stem adapter size by code number from mounting options chart below

Caster Brake



Top Lock
(See page 96) Available on all swivel models with solid axle only. Field installable (Specify **BRK1**; Example: 2.05267.91 MTG40 BRK1).



Total Lock
(See page 96) Locks wheel and swivel simultaneously. Fits 3 1/2", 4" and 5" swivel models. Field installable (Specify **BRK5**; Example: 2.05267.53 MTG40 BRK5).

Fork Option

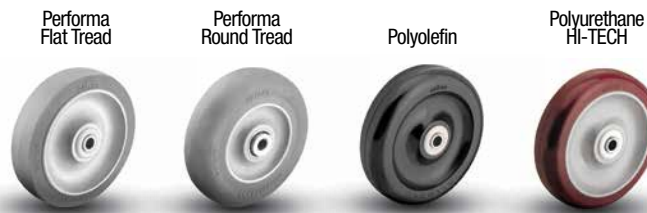
NSF Listed For Food Service Industry
All models except thread guards and cast iron wheels (Specify **FSI**; Example: 2.05267.441 MTG40 FSI).

Swivel Dust Cap
(See page 101) (Specify **DC1**; Example: 2.05267.441 MTG40 DC1).

Forks Only
To order caster forks only use 1st 6 digits of model numbers (Example: 2.02267).

Axle/Nut Options
Consult factory.

Wheel Selection



See the Performa Advantage on Page 67.



Mounting Options

(See page 107)

Inside Diameter of Tube	Mounting Code Numbers	
	Round Tubing	Square Tubing
3/4" - 13/16"	MTG40	-
7/8" - 15/16"	MTG41	MTG51
1" - 1 1/16"	MTG42	MTG52
1 1/8" - 1 3/16"	MTG43	MTG53
1 1/4" - 1 5/16"	MTG44	MTG54
1 3/8" - 1 7/16"	MTG45	MTG55
1 1/2" - 1 9/16"	MTG46	-
1 5/8" - 1 11/16"	MTG47	-

Stems are 2 1/16" long. Stem size less adapter: 1/2" - 13UNC x 2 13/16"

To order you must add the mounting code to the Stem Caster Model number (Example: 2.02267.441 MTG40).

Wheel Option

Thread Guards
(See page 108) Available on many models. Specify **TG1** for metal or **TG2** for plastic; Example: 2.05267.441 MTG40 TG2.

Colson 2 Series Casters • Expanding Adapter Stem • Capacity to 325 lbs

Wheel Dia.	Tread Width	Capacity Each (Pounds)	Wheel Descriptions	Wheel Bearing	Stem Caster Models*	Load Height	Swivel Radius	Weight (Pounds)	
2 1/2"	1 1/4"	140	Performa Rubber (Flat)	Delrin	2.02267.441	4"	2 13/32"	1 3/4	
			Performa Rubber (Flat)	Ball	2.02267.445	4"	2 13/32"	1 3/4	
		200	Polyolefin	Delrin	2.02267.53	4"	2 13/32"	1 3/4	
			Polyolefin	Ball	2.02267.55	4"	2 13/32"	1 3/4	
		250	Polyurethane HI-TECH	Delrin	2.02267.91	4"	2 13/32"	1 1/2	
			Polyurethane HI-TECH	Ball	2.02267.95	4"	2 13/32"	1 1/2	
	1 7/16"	200	Cast Iron	Sleeve	2.02267.12	4"	2 13/32"	2 1/8	
		300	Phenolic	Roller	2.02267.319	4"	2 13/32"	1 3/4	
3"	1 1/4"	150	Rubber HI-TECH	Plain	2.03367.42	4 1/4"	2 21/32"	2	
		200	Polyurethane HI-TECH	Plain	2.03367.92	4 1/4"	2 21/32"	2	
			Polyolefin	Delrin	2.03367.52	4 1/4"	2 21/32"	2	
	1 15/32"	300	Phenolic	Roller	2.03367.309	4 1/4"	2 21/32"	2 3/4	
3 1/2"	1 5/16"	210	Performa Rubber (Round)	Delrin	2.03267.561	4 13/16"	2 29/32"	2 1/4	
			Performa Rubber (Round)	Ball	2.03267.565	4 13/16"	2 29/32"	2 1/4	
	1 1/4"	230	Polyolefin	Delrin	2.03267.53	4 13/16"	2 29/32"	2 1/8	
			Polyolefin	Ball	2.03267.55	4 13/16"	2 29/32"	2 1/8	
		250	Performa Rubber (Flat)	Delrin	2.03267.441	4 13/16"	2 29/32"	2 1/8	
			Performa Rubber (Flat)	Ball	2.03267.445	4 13/16"	2 29/32"	2 1/8	
			Polyurethane HI-TECH	Delrin	2.03267.91	4 13/16"	2 29/32"	13/4	
			Polyurethane HI-TECH	Ball	2.03267.95	4 13/16"	2 29/32"	13/4	
			300	Cast Iron	Sleeve	2.03267.12	4 13/16"	2 29/32"	3
4"	1 1/4"	275	Polyolefin	Delrin	2.04267.53	5 1/4"	3 7/32"	2 1/4	
			Polyolefin	Ball	2.04267.55	5 1/4"	3 7/32"	2 1/4	
			Polyurethane HI-TECH	Delrin	2.04267.91	5 1/4"	3 7/32"	2	
		300	Polyurethane HI-TECH	Ball	2.04267.95	5 1/4"	3 7/32"	2	
			Performa Rubber (Flat)	Delrin	2.04267.441	5 1/4"	3 7/32"	2 1/4	
			Performa Rubber (Flat)	Ball	2.04267.445	5 1/4"	3 7/32"	2 1/4	
			Cast Iron	Sleeve	2.04267.12	5 1/4"	3 7/32"	3 1/2	
5"	1 5/16"	250	Performa Rubber (Round)	Delrin	2.05267.561	6 5/16"	3 13/16"	3	
			Performa Rubber (Round)	Ball	2.05267.565	6 5/16"	3 13/16"	3	
	1 1/4"	300	Polyolefin	Delrin	2.05267.53	6 5/16"	3 13/16"	2 3/4	
			Polyolefin	Ball	2.05267.55	6 5/16"	3 13/16"	2 3/4	
			Polyurethane HI-TECH	Delrin	2.05267.91	6 5/16"	3 13/16"	2 1/2	
			Polyurethane HI-TECH	Ball	2.05267.95	6 5/16"	3 13/16"	2 1/2	
			Cast Iron	Sleeve	2.05267.12	6 5/16"	3 13/16"	3 3/4	
			325	Performa Rubber (Flat)	Delrin	2.05267.441	6 5/16"	3 13/16"	2 3/4
		Performa Rubber (Flat)		Ball	2.05267.445	6 5/16"	3 13/16"	2 3/4	

*To order you must include mounting code in the Mounting Option chart on previous page. (Example: 2.02267.441 MTG40).

2 Series