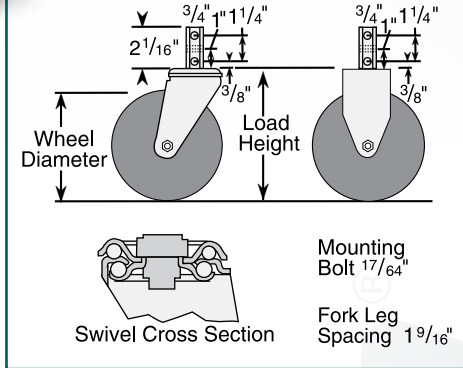


# 2 Series

**SQUARE STEM** Swivel & Rigid  
Capacity up to **325 lbs each**



## Standard Dimensions



## Features

- Zinc plated finish is attractive and durable
- Full double ball hardened raceways for better performance and greater durability
- 3/8" hollow axle with lock nut
- Grease holes on wheel bearing for greater convenience
- "Colson 45" multi-temp grease lubricates in extreme hot and cold temperatures

## Standard Mounting

- **Stem Size:** 2 1/16" long x 3/4" square with 3 mounting holes 17/64" diameter
- Designed for easy installation on the inside of angle iron legs or against flat surfaces
- Stems may be bolted or riveted against any flat vertical surface

## Caster Brake



**Top Lock**  
(See page 96) Available on all swivel models with solid axle only. Field installable (Specify **BRK1**; Example: 2.05270.91 BRK1).



**Total Lock**  
(See page 96) Locks wheel and swivel simultaneously. Fits 3 1/2", 4" and 5" swivel models. Field installable (Specify **BRK5**; Example: 2.05270.12 BRK5).

## Fork Option

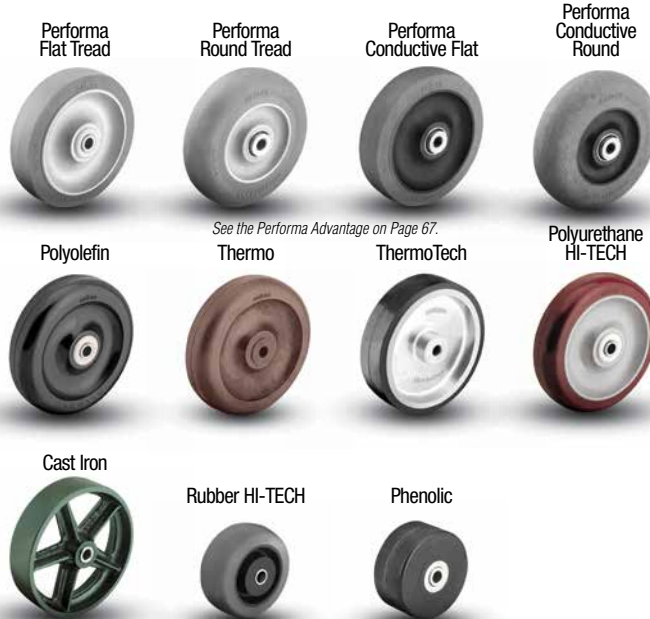
**NSF Listed For Food Service Industry**  
All models except thread guards and cast iron wheels (Specify **FSI**; Example: 2.05270.441 FSI).

**Swivel Dust Cap**  
(See page 101) (Specify **DC1**; Example: 2.05270.441 DC1).

**Forks Only**  
To order caster forks only use 1st 6 digits of model numbers (Example: 2.02270).

**Axle/Nut Options**  
Consult factory.

## Wheel Selection



See the Performa Advantage on Page 67.

## Wheel Option

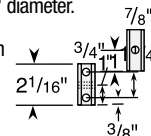
**Thread Guards**  
(See page 108) Available on many models. Specify **TG1** for metal or **TG2** for plastic; Example: 2.05270.441 TG2.

## Mounting Options

**Standard Mounting (no code necessary):**  
2 1/16" long x 3/4" square with 3 mounting holes 17/64" diameter.

**MTG1:** Square Stem 2 1/16" long x 7/8" square with 1 mounting hole 17/64" diameter.

**MTG3:** Octagon Stem 2 1/16" long x 3/4" octagon with 3 mounting holes 17/64" diameter.



To order optional mounting, add mounting code to Swivel Stem Caster Models number (Example: 2.02270.441 MTG1).

**Colson 2 Series Casters • Square Stem Swivel & Rigid • Capacity to 325 lbs**

Wheel Dia.	Tread Width	Capacity Each (Pounds)	Wheel Descriptions	Wheel Bearing	Swivel Stem Caster Models	Rigid Stem Caster Models	Load Height	Swivel Radius	Weight (Pounds)
2 1/2"	1 1/4"	125	Performa Rubber (Conductive/Flat)	Ball	2.02270.445 COND	—	3 3/4"	2 13/32"	1 5/8
		140	Performa Rubber (Flat)	Delrin	2.02270.441	—	3 3/4"	2 13/32"	1 5/8
			Performa Rubber (Flat)	Ball	2.02270.445	—	3 3/4"	2 13/32"	1 5/8
		200	Polyolefin	Delrin	2.02270.53	—	3 3/4"	2 13/32"	1 5/8
			Polyolefin	Ball	2.02270.55	—	3 3/4"	2 13/32"	1 5/8
		250	Polyurethane HI-TECH	Delrin	2.02270.91	—	3 3/4"	2 13/32"	1 5/8
	Polyurethane HI-TECH		Ball	2.02270.95	—	3 3/4"	2 13/32"	1 5/8	
200	Cast Iron	Sleeve	2.02270.12	—	3 3/4"	2 13/32"	2		
1 7/16"	300	Phenolic	Roller	2.02270.319	—	3 3/4"	2 13/32"	1 5/8	
3"	1 1/4"	150	Rubber HI-TECH	Plain	2.03370.42	—	4"	2 21/32"	2
		200	Polyurethane HI-TECH	Plain	2.03370.92	—	4"	2 21/32"	2
	Polyolefin		Delrin	2.03370.52	—	4"	2 21/32"	2	
1 15/32"	300	Phenolic	Roller	2.03370.309	—	4"	2 21/32"	2 3/4	
3 1/2"	1 5/16"	210	Performa Rubber (Conductive/Round)	Ball	2.03270.565 COND	—	4 9/16"	2 29/32"	2 1/4
			Performa Rubber (Round)	Delrin	2.03270.561	—	4 9/16"	2 29/32"	2 1/4
			Performa Rubber (Round)	Ball	2.03270.565	—	4 9/16"	2 29/32"	2 1/4
	1 1/4"	225	Performa Rubber (Conductive/Flat)	Ball	2.03270.445 COND	—	4 9/16"	2 29/32"	2
			230	Polyolefin	Delrin	2.03270.53	—	4 9/16"	2 29/32"
		Polyolefin		Ball	2.03270.55	—	4 9/16"	2 29/32"	1 7/8
		250	Performa Rubber (Flat)	Delrin	2.03270.441	—	4 9/16"	2 29/32"	2
			Performa Rubber (Flat)	Ball	2.03270.445	—	4 9/16"	2 29/32"	2
			Polyurethane HI-TECH	Delrin	2.03270.91	—	4 9/16"	2 29/32"	2 7/8
			Polyurethane HI-TECH	Ball	2.03270.95	—	4 9/16"	2 29/32"	2 7/8
	300	Thermo	Plain	2.03270.52 HT	—	4 9/16"	2 29/32"	2 7/8	
Cast Iron		Sleeve	2.03270.12	—	4 9/16"	2 29/32"	3		
4"	1 1/4"	250	ThermoTech®	Teflon	2.04270.613 H	—	5"	3 7/32"	3
			Performa Rubber (Conductive/Flat)	Ball	2.04270.445 COND	—	5"	3 7/32"	2 1/4
		275	Polyolefin	Delrin	2.04270.53	—	5"	3 7/32"	2 1/8
			Polyolefin	Ball	2.04270.55	—	5"	3 7/32"	2 1/8
			Polyurethane HI-TECH	Delrin	2.04270.91	—	5"	3 7/32"	2 1/8
			Polyurethane HI-TECH	Ball	2.04270.95	—	5"	3 7/32"	2 1/8
	300	Performa Rubber (Flat)	Delrin	2.04270.441	—	5"	3 7/32"	2 1/4	
		Performa Rubber (Flat)	Ball	2.04270.445	—	5"	3 7/32"	2 1/4	
		Thermo	Plain	2.04270.52 HT	—	5"	3 7/32"	3 1/8	
		Cast Iron	Sleeve	2.04270.12	—	5"	3 7/32"	3 3/8	
5"	1 1/4"	250	ThermoTech®	Teflon	2.05270.613 H	2.05280.613 H	6 1/16"	3 13/16"	3
			Performa Rubber (Conductive/Flat)	Ball	2.05270.445 COND	2.05280.445 COND	6 1/16"	3 13/16"	3
	1 5/16"	250	Performa Rubber (Conductive/Round)	Ball	2.05270.565 COND	2.05280.565 COND	6 1/16"	3 13/16"	3
			Performa Rubber (Round)	Delrin	2.05270.561	2.05280.561	6 1/16"	3 13/16"	3
			Performa Rubber (Round)	Ball	2.05270.565	2.05280.565	6 1/16"	3 13/16"	3
	1 1/4"	300	Polyolefin	Delrin	2.05270.53	2.05280.53	6 1/16"	3 13/16"	2 1/2
			Polyolefin	Ball	2.05270.55	2.05280.55	6 1/16"	3 13/16"	2 1/2
			Polyurethane HI-TECH	Delrin	2.05270.91	2.05280.91	6 1/16"	3 13/16"	2 1/2
			Polyurethane HI-TECH	Ball	2.05270.95	2.05280.95	6 1/16"	3 13/16"	2 1/2
			Cast Iron	Sleeve	2.05270.12	2.05280.12	6 1/16"	3 13/16"	3 3/4
		325	Performa Rubber (Flat)	Delrin	2.05270.441	2.05280.441	6 1/16"	3 13/16"	2 3/4
Performa Rubber (Flat)			Ball	2.05270.445	2.05280.445	6 1/16"	3 13/16"	2 3/4	
Thermo	Plain		2.05270.52 HT	2.05280.52 HT	6 1/16"	3 13/16"	3 1/2		

**2 Series**