

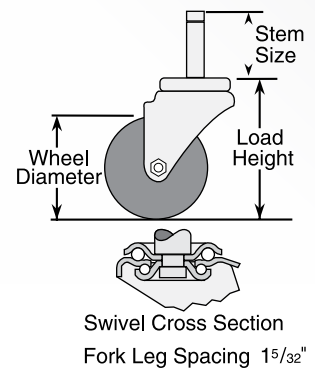


# 1 Series

Capacity up to **145 lbs each**



## Standard Dimensions



### Features

- Zinc plated finish is attractive and durable
- Full double ball hardened raceways for better performance and greater durability
- 5/16" shouldered axle with 1/4" nut
- "Colson 45" multi-temp grease lubricates in extreme hot and cold temperatures

### Standard Mounting

- Spring grip on top of stem holds caster firmly in place
- Stem Size: 7/16" x 1 29/32" long with grip ring

## Colson 1 Series Casters • Grip Ring Stem • Capacity to 145 lbs each

Wheel Dia.	Tread Width	Capacity Each (Pounds)	Wheel Descriptions	Wheel Bearing	Stem Caster Models	Load Height	Swivel Radius	Weight (Pounds)
3"	7/8"	100	Polyurethane HI-TECH	Delrin	1.03351.91	33/4"	213/16"	1
		125	Performa Rubber	Delrin	1.03351.441	33/4"	213/16"	11/8
			Polyolefin	Delrin	1.03351.53	33/4"	213/16"	11/8
4"	7/8"	125	Polyurethane HI-TECH	Delrin	1.04351.91	43/4"	37/16"	11/8
		135	Performa Rubber	Delrin	1.04351.441	43/4"	37/16"	13/8
			Polyolefin	Delrin	1.04351.53	43/4"	37/16"	13/8
5"	7/8"	140	Polyurethane HI-TECH	Delrin	1.05351.91	53/4"	41/16"	11/4
		145	Performa Rubber	Delrin	1.05351.441	53/4"	41/16"	15/8
			Polyolefin	Delrin	1.05351.53	53/4"	41/16"	11/8

### Caster Brake



**Side Lock** (See page 96)  
Available on all models. Field installable (Specify **BRK3**; Example: 1.03351.91 BRK3).

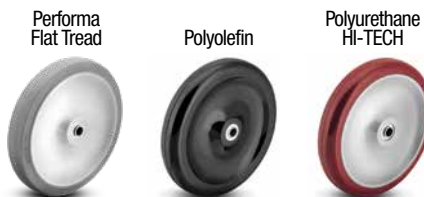
### Fork Options

**NSF Listed for Food Service Industry**  
All models except thread guards.

#### Forks Only

To order caster forks only use 1st 6 digits of model numbers (Example: 1.03351).

### Wheel Selection



### Wheel Option

**Thread Guards**  
(See page 108) Available on all 3" models. Brake & NSF options cannot be used with thread guards (Specify **TG1** for metal; Example: 1.03351.91 TG1).

### Mounting Options

**Standard Mounting (no code necessary):**  
7/16" x 1 29/32" long with grip ring **no** plastic adapter.

**MTG2:** 7/16" x 1 1/2" long

**MTG51:** 7/16" x 1 29/32" long **less** grip ring

To order optional mounting, add mounting code to Stem Caster Model number (Example: 1.03367.91 MTG51).

### Plastic Adapters

Snaps in place to reduce distortion and damage to furniture and equipment tubing.

Plastic adapters are non-conductive. To order, add plastic adapter mounting code from below to Stem Caster Model number (Example: 1.03351.91 MTG53).

**MTG53:** (No. 50810): Fits 7/8" x 18 ga. wall round tubing or any I.D. from 3/4" to 51/64".

**MTG55:** (No. 50865): Fits 1" x 14 ga. wall round tubing or any I.D. from 53/64" to 55/64".

**MTG56:** (No. 50916): Fits 1" x 16 ga. wall round tubing or any I.D. from 57/64" to 29/32".

