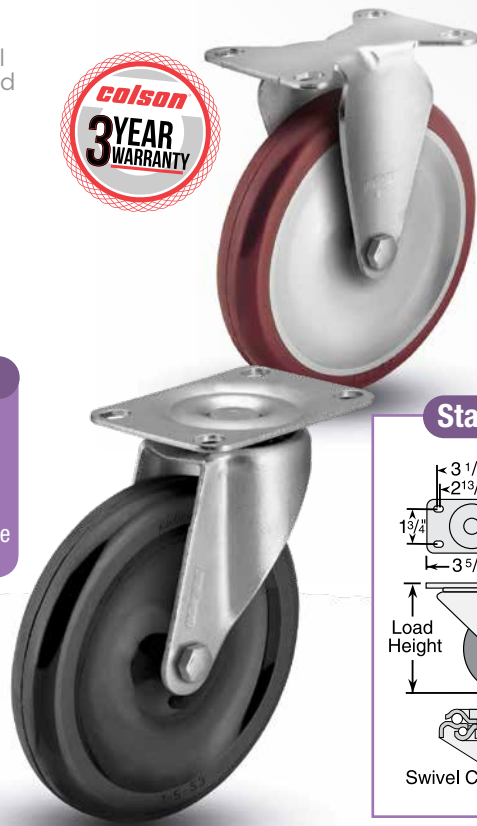


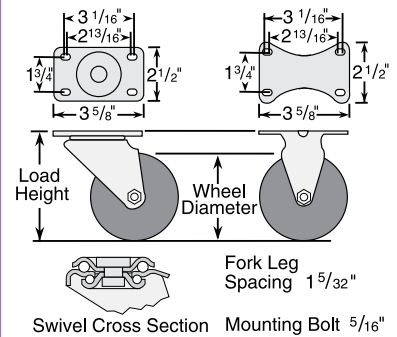


# 1 Series

LARGE TOP PLATE Swivel & Rigid  
Capacity up to **145 lbs each**



### Standard Dimensions



### Features

- Zinc plated finish is attractive and durable
- Full double ball hardened raceways for better performance and greater durability
- 5/16" shouldered axle with 1/4" nut
- .090" steel top plate
- "Colson 45" multi-temp grease lubricates in extreme hot and cold temperatures

### Colson 1 Series Casters • Large Top Plate Swivel and Rigid • Capacity to 145 lbs each

| Wheel Dia. | Tread Width | Capacity Each (Pounds) | Wheel Descriptions   | Wheel Bearing | Swivel Top Plate Caster Models | Rigid Top Plate Caster Models | Load Height | Swivel Radius | Weight (Pounds) |
|------------|-------------|------------------------|----------------------|---------------|--------------------------------|-------------------------------|-------------|---------------|-----------------|
| 3"         | 7/8"        | 100                    | Polyurethane HI-TECH | Delrin        | 1.03356.91                     | 1.03008.91                    | 3 3/4"      | 2 13/16"      | 1 1/4           |
|            |             | 125                    | Performa Rubber      | Delrin        | 1.03356.441                    | 1.03008.441                   | 3 3/4"      | 2 13/16"      | 1 1/4           |
|            |             |                        | Polyolefin           | Delrin        | 1.03356.53                     | 1.03008.53                    | 3 3/4"      | 2 13/16"      | 1 1/4           |
| 4"         | 7/8"        | 125                    | Polyurethane HI-TECH | Delrin        | 1.04356.91                     | 1.04008.91                    | 4 3/4"      | 3 7/16"       | 1 1/2           |
|            |             | 135                    | Performa Rubber      | Delrin        | 1.04356.441                    | 1.04008.441                   | 4 3/4"      | 3 7/16"       | 1 1/2           |
|            |             |                        | Polyolefin           | Delrin        | 1.04356.53                     | 1.04008.53                    | 4 3/4"      | 3 7/16"       | 1 1/2           |
| 5"         | 7/8"        | 140                    | Polyurethane HI-TECH | Delrin        | 1.05356.91                     | 1.05008.91                    | 5 3/4"      | 4 1/16"       | 1 3/4           |
|            |             | 145                    | Performa Rubber      | Delrin        | 1.05356.441                    | 1.05008.441                   | 5 3/4"      | 4 1/16"       | 1 3/4           |
|            |             |                        | Polyolefin           | Delrin        | 1.05356.53                     | 1.05008.53                    | 5 3/4"      | 4 1/16"       | 1 3/4           |

### Caster Brake



**Side Lock**  
(See page 96) Available on all swivel models. Field installable (Specify **BRK3**; Example: 1.03356.91 BRK3).

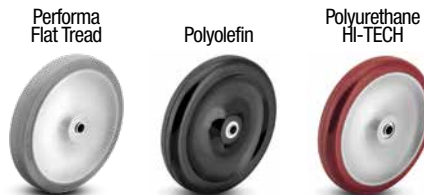
### Fork Option

**NSF Listed for Food Service Industry**  
All models except thread guards.

### Forks Only

To order caster forks only use 1st 6 digits of model numbers (Example: 1.03356).

### Wheel Selection



See the Performa Advantage on Page 67.

### Wheel Option

#### Thread Guards

(See page 108) Available on all 3" models. Brake & NSF options cannot be used with thread guards (Specify **TG1** for metal; Example: 1.03356.91 TG1).