

Swivel & Rigid

# ENCORE®

WHERE ECONOMY MEETS QUALITY

## — Dolly Caster Capacity up to 260 lbs each



### Standard Features

- Durable and cost-effective zinc plated finish
- Double ball swivel raceways for better performance and greater strength
- Single insert molded wheel bearing offers smooth rolling and is maintenance free for the life of the dolly
- Unique tread material is non-marking and resists cutting or tearing like other TPR materials
- Applications include moving dollies, medium duty material handling carts, stock carts and more



Encore Dolly

### Caster Brake

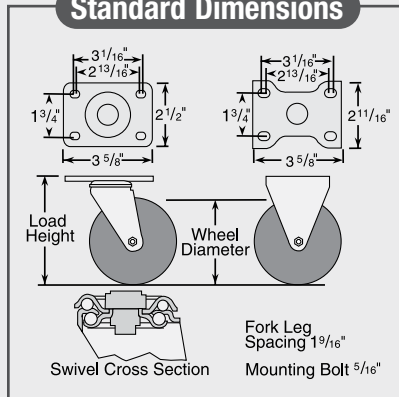


**Top Lock**  
Brake is not field installable. Available with standard top plate only. Specify "B1" to order with caster.

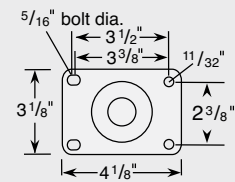


**Total Lock**  
Brake is not field installable. Available with standard top plate only. Specify "B5" to order with caster.

### Standard Dimensions



### Optional Top Plate



**# 59 Top Plate:** Available on swivel model only. To order caster with **MTG59** top plate, change seventh digit to "9" (Example: E2.D3859.465).

### Encore Dolly Casters • Top Plate Swivel & Rigid • Capacity to 260 lbs

Wheel Dia.	Tread Width	Capacity Each (Pounds)	Wheel Descriptions	Swivel Top Plate Caster Models	Rigid Top Plate Caster Models	Load Height	Swivel Radius	Weight lbs (Rigid Deduct 1 lbs.)
3"	1 1/4"	180	TPR (Flat/Grey)	E2.D3856.465	E2.D3808.465	4 1/8"	2 19/32"	1 5/8
3 1/2"	1 1/4"	200	TPR (Flat/Grey)	E2.D3756.465	E2.D3708.465	4 11/16"	2 27/32"	1 7/8
4"	1 1/4"	240	TPR (Flat/Grey)	E2.D4756.465	E2.D4708.465	5 1/8"	3 11/32"	2
5"	1 1/4"	260	TPR (Flat/Grey)	E2.D5756.465	E2.D5708.465	6 3/16"	3 13/16"	2 1/4