



367 & 364

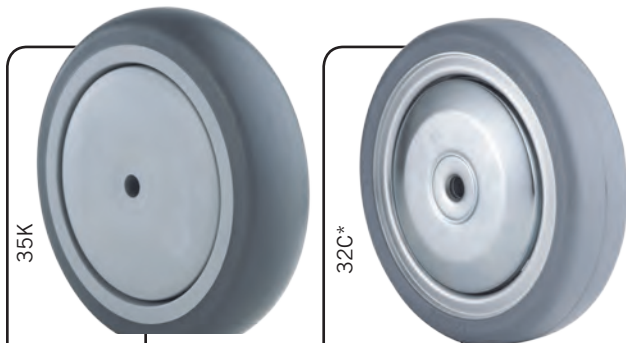
▼ SPECIFICATIONS

Wheel Diameter	Tread Width	Wheel Material	Wheel Bearing	Load Cap (lb)	Top Plate Caster	Top Plate EDP	Hollow Kingpin Caster	Hollow Kingpin EDP
3" (80mm)	1 1/4" (32mm)	TPR	Precision	220	364A35K080RZPF	07276		
3" (80mm)	1 1/4" (32mm)	TPR	Precision	220	367A35K080RZPF	07395	367A35K080RZLD	06304
3" (80mm)	1 1/4" (32mm)	TPR	Precision	220	367H35K080RZPF	08029	367H35K080RZLD	06245
3" (80mm)	1 1/4" (32mm)	TPR	Precision	220	367R35K080RZPF	06111		
4" (100mm)	1 1/4" (32mm)	TPR	Precision	220	364A35K100RZPF	07340		
4" (100mm)	1 1/4" (32mm)	TPR	Precision	220	367A35K100RZPF	07488	367A35K100RZLD	06307
4" (100mm)	1 1/4" (32mm)	TPR	Precision	220	367H35K100RZPF	07986	367H35K100RZLD	06306
4" (100mm)	1 1/4" (32mm)	TPR	Precision	220	367R35K100RZPF	06112		
5" (125mm)	1 1/4" (32mm)	TPR	Precision	220	364A35K125RZPF	07356		
5" (125mm)	1 1/4" (32mm)	TPR	Precision	220	367A35K125RZPF	07571	367A35K125RZLD	07571
5" (125mm)	1 1/4" (32mm)	TPR	Precision	220	367H35K125RZPF	08015	367H35K125RZLD	06309
5" (125mm)	1 1/4" (32mm)	TPR	Precision	220	367R35K125RZPF	06113		
6" (150mm)	1 1/4" (32mm)	TPR	Precision	220	364A35K150RZPF	07298		
6" (150mm)	1 1/4" (32mm)	TPR	Precision	220	367A35K150RZPF	07612	367A35K150RZLD	02109
6" (150mm)	1 1/4" (32mm)	TPR	Precision	220	367H35K150RZPF	08074	367H35K150RZLD	02113
6" (150mm)	1 1/4" (32mm)	TPR	Precision	220	367R35K150RZPF	06124		

The measurements in millimeters are exact.

↑
To order 32C wheel change 35K to 32C.

▼ WHEEL OPTIONS



For grey rubber on metal disk change 35K to 32C

▼ LOCK OPTIONS

