

RHOMBUS



390



390Q  
(Swivel with Total Lock)  
390R  
(Swivel with Total and  
Position Lock)

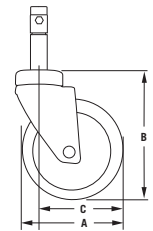


**APPLICATIONS**

- Care beds
- Hospital beds
- Intensive care beds
- OR beds and tables
- Stretchers
- Gurneys

**FEATURES**

- Stamped and drawn horn assembly
- Zinc-plated
- Double ball raceway that's sealed
- Plastic seal protects from dust and water
- Integrated selection mechanism with total lock brake "Q" and position locking brake "R"
- Selection mechanism continually greased
- Brake adjustment feature is standard

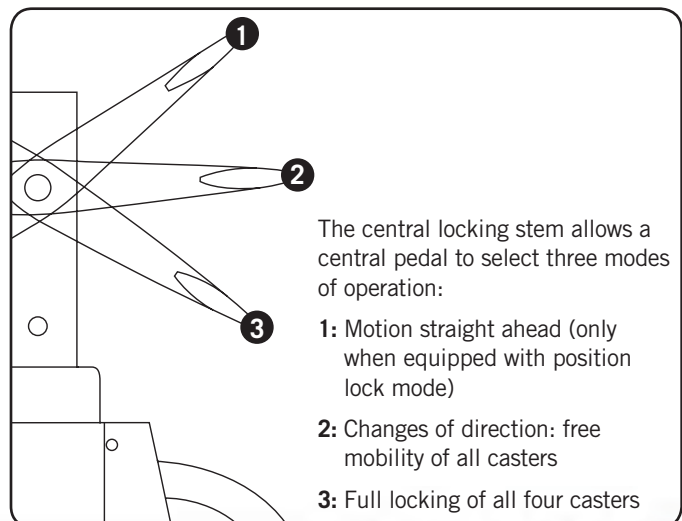


**▼ DIMENSIONS**

**390 Series**

|                          |                   |                   |                   |
|--------------------------|-------------------|-------------------|-------------------|
| <b>A:</b> Wheel Diameter | 3"<br>(80mm)      | 4"<br>(100mm)     | 5"<br>(125mm)     |
| <b>B:</b> Overall Height | 4 1/2"<br>(113mm) | 5 1/4"<br>(133mm) | 6 1/4"<br>(158mm) |
| <b>C:</b> Swivel Radius  | 3 1/4"<br>(84mm)  | 3 1/2"<br>(92mm)  | 4 1/4"<br>(107mm) |
| <b>A:</b> Wheel Diameter | 6"<br>(150mm)     | 8"<br>(200mm)     |                   |
| <b>B:</b> Overall Height | 7 1/4"<br>(184mm) | 9 1/4"<br>(237mm) |                   |
| <b>C:</b> Swivel Radius  | 5"<br>(126mm)     | 6 1/4"<br>(161mm) |                   |

**▼ PEDAL SETTINGS**





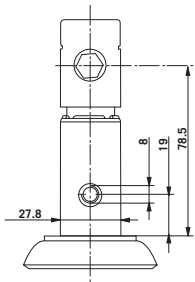
# 390

## ▼ SPECIFICATIONS

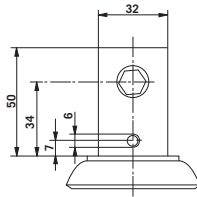
| Wheel Diameter | Tread Width   | Wheel Material | Wheel Bearing | Load Cap (lb) | Stem (78.5mm)    | EDP   | Stem (34mm)     | EDP   |
|----------------|---------------|----------------|---------------|---------------|------------------|-------|-----------------|-------|
| 3" (80mm)      | 1 1/4" (32mm) | TPR            | Precision     | 220           | 390Q35K080RZ2351 | 06698 | 390Q35K080RZ985 | 02128 |
| 3" (80mm)      | 1 1/4" (32mm) | TPR            | Precision     | 220           | 390R35K080RZ2351 | 02014 | 390R35K080RZ985 | 02132 |
| 4" (100mm)     | 1 1/4" (32mm) | TPR            | Precision     | 220           | 390Q35K100RZ2351 | 02010 | 390Q35K100RZ985 | 02129 |
| 4" (100mm)     | 1 1/4" (32mm) | TPR            | Precision     | 220           | 390R35K100RZ2351 | 02015 | 390R35K100RZ985 | 02133 |
| 5" (125mm)     | 1 1/4" (32mm) | TPR            | Precision     | 220           | 390Q35K125RZ2351 | 06680 | 390Q35K125RZ985 | 06027 |
| 5" (125mm)     | 1 1/4" (32mm) | TPR            | Precision     | 220           | 390R35K125RZ2351 | 06681 | 390R35K125RZ985 | 02134 |
| 6" (150mm)     | 1 1/4" (32mm) | TPR            | Precision     | 220           | 390Q35K150RZ2351 | 02012 | 390Q35K150RZ985 | 02130 |
| 6" (150mm)     | 1 1/4" (32mm) | TPR            | Precision     | 220           | 390R35K150RZ2351 | 02017 | 390R35K150RZ985 | 02135 |
| 8" (200mm)     | 1 1/4" (32mm) | TPR            | Precision     | 220           | 390Q35K200RZ2351 | 02013 | 390Q35K200RZ985 | 02131 |
| 8" (200mm)     | 1 1/4" (32mm) | TPR            | Precision     | 220           | 390R35K200RZ2351 | 02018 | 390R35K200RZ985 | 02136 |

The measurements in millimeters are exact.

↑  
To order 32C wheel change 35K to 32C.

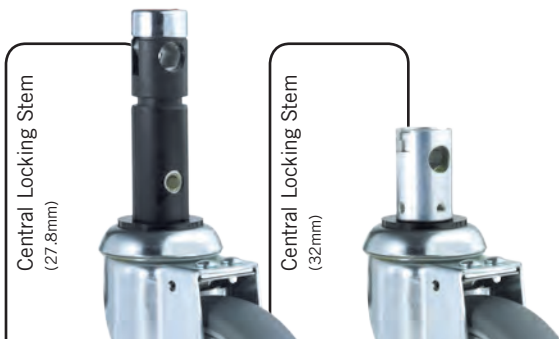


- Stem diameter 27.8mm
- Two locking hole options available
- Locking hole in line or across direction of travel
- Four fixing holes
- Snap-on adapter sleeves available for different tube dimensions

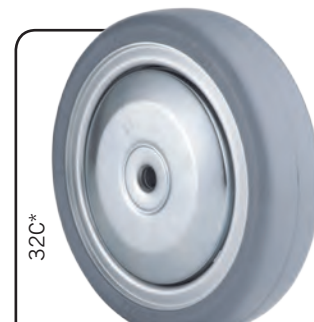
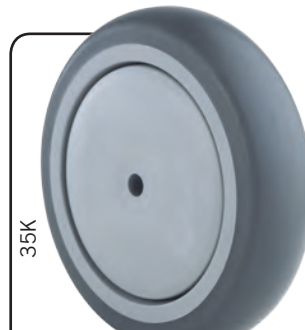


- Stem diameter 32mm
- Two locking hole options available
- Locking hole in line or across direction of travel
- Four fixing holes

## ▼ MOUNTING OPTIONS



## ▼ WHEEL OPTIONS



For grey rubber on metal disk change 35K to 32C